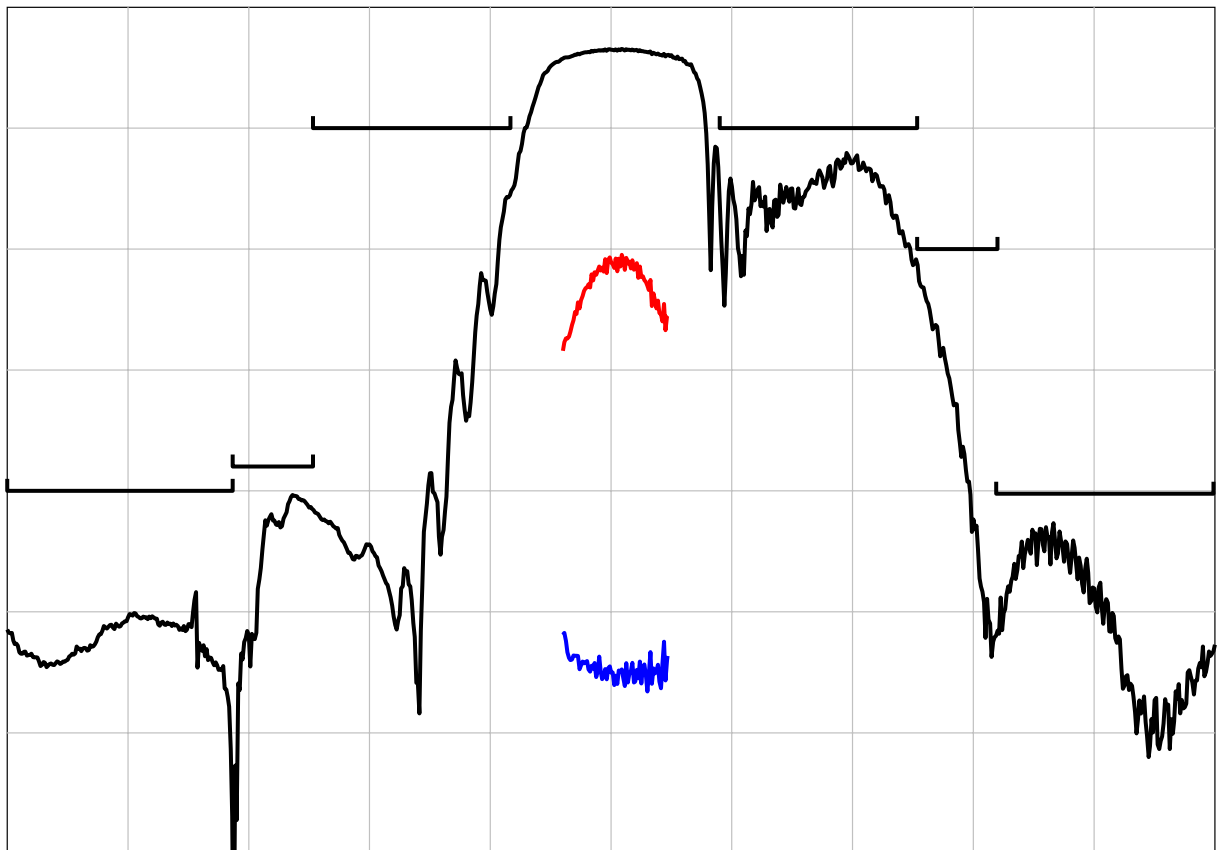




DESCRIPTION

- 601 MHz SAW bandpass filter with 26 MHz bandwidth.
- 3.8 x 3.8 mm LCC package.
- RoHS compliant.

TYPICAL PERFORMANCE



Horizontal:	Frequency - Center :	600	MHz
	Span :	300	MHz
Vertical:	Magnitude :	10	dB/div
	Magnitude :	1	dB/div
	Group Delay :	20	ns/div



SPECIFICATION

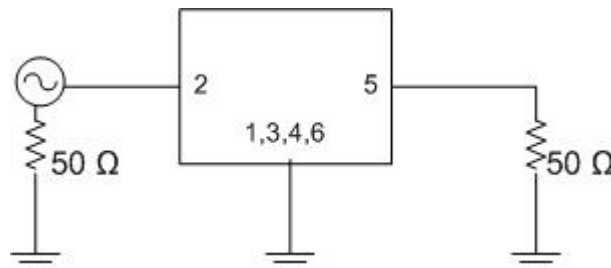
Parameter	Min	Typ	Max	Units
Nominal Center Frequency F_c	-	601	-	MHz
Passband	588	-	614	MHz
Maximum Insertion Loss over the Passband	-	4.25	4.5	dB
Absolute Delay	-	40	-	ns
Rejection (0.3 to 506 MHz) ¹	40	47	-	dB
Rejection (506 to 526 MHz) ¹	38	39	-	dB
Rejection (526 to 575 MHz) ¹	10	14	-	dB
Rejection (627 to 676 MHz) ¹	10	11	-	dB
Rejection (676 to 696 MHz) ¹	20	22	-	dB
Rejection (696 to 901 MHz) ¹	40	42	-	dB
Rejection (901 to 1056 MHz) ¹	40	43	-	dB
Amplitude Variation over the Passband	-	0.9	1.5	dB p-p
Group Delay Ripple in Passband	-	10	100	ns p-p
Source/Load Impedance	50			ohms
Temperature Coefficient of Frequency, T_c ²	-	-70	-	ppm/°C
Ambient Temperature (T_{ref})	-	23	-	°C

- Notes:
1. Absolute level
 2. Typical shift of filter frequency response with temperature is $\Delta f = (T - T_{ref}) * T_c * F_c$.

MAXIMUM RATINGS

Parameter	Min	Max	Units
Storage Temperature Range	-45	85	°C
Operating Temperature Range	-20	55	°C
Input Power Level	-	10	dBm

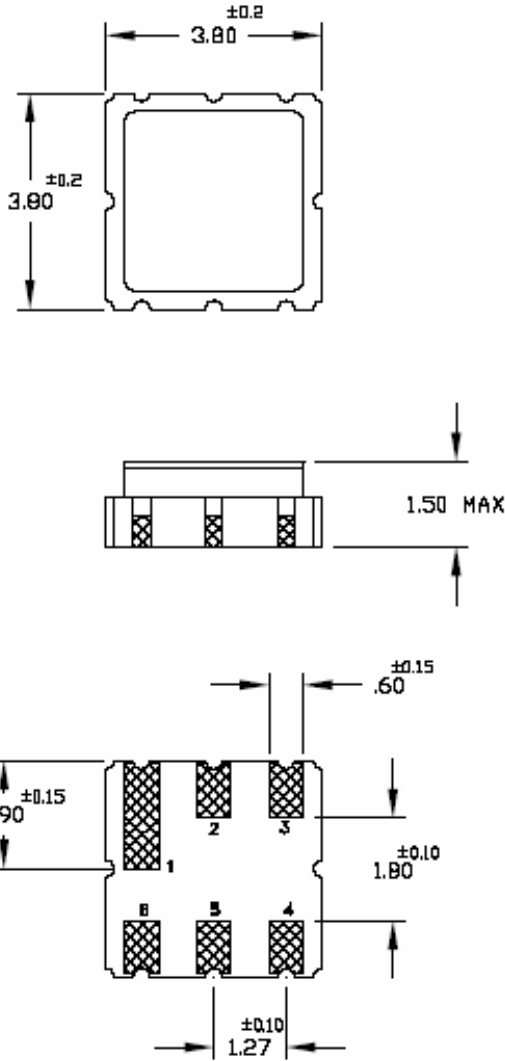
MATCHING CIRCUIT



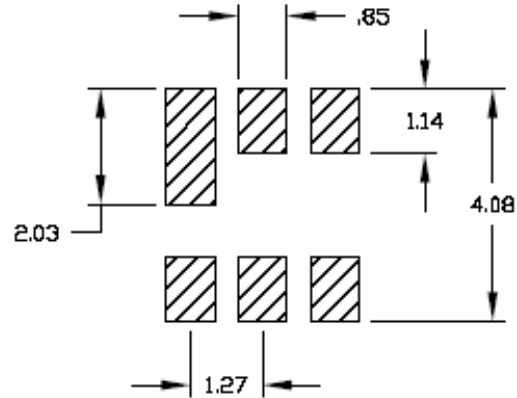
Notes

- 50 ohm single ended operation.
- Matching components are not required.

PACKAGE OUTLINE



SUGGESTED FOOTPRINT



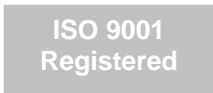
Units: mm

Tolerances are ±0.15 mm except where indicated.

Pad Configuration:

Input: 2
 Output: 5
 Ground: 1, 3, 4, 6

Package Material:
 Body: Al_2O_3 ceramic
 Lid: Kovar, Ni plated
 Terminations: Au plating 1 µm min,
 over a 1.3-8.9 µm Ni plating



All specifications are believed to be accurate and reliable. However, MNC reserves the right to make changes without notice.
 © 2007 All rights reserved.